

Elmer G Biddick

CHARITABLE FOUNDATION

11623 State Road 80 Livingston, WI 53554
Phone (608) 943-6363 Fax (608) 943-6365
www.biddickfoundation.com

Peggy J. Biddick
Robin M. Masters
James W. Neuendorf
Rebecca Stevicks

Brian D. Nodolf – President
Rachel L. Jordan – Vice-President
Bradley D. Biddick – Secretary/Treasurer

GRANT APPLICATION

*** Must be received in our office on or before the due dates below
Due Dates April 15th and October 15th**

Date: September 28, 2016

Name of Organization (must match IRS 501(c)(3) designation): Livingston-Clifton Fire Department & 1st Responders

Address: 230 N Grant Street, P.O. Box 144

City, State, Zip: Livingston, WI 53554

Phone: (608) 341-9798 (Charles Hrubes) / (608) 732-5323 (Sarah Hake)

Person Responsible for the Grant: Charles Hrubes / Sarah Hake

Positon in the Organization: Charles Hrubes - Chief / Sarah Hake - Treasurer

Organization's Purpose: To provide fire protection, fire prevention education as a fire department and basic life skills (with some advanced life skills) as first responders. Our goal is to protect life and property.

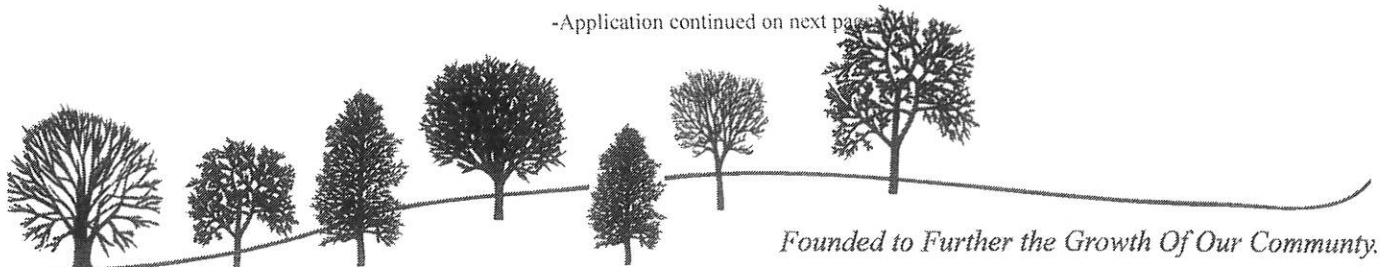
This application must include your organization's latest IRS Letter of Determination showing exemption and public support status. (Not required for unites of Government & public schools).

Grant Request: \$ 3,329.00

Describe the reason for this grant request in the space below:

We supplement our annual budget by holding fundraisers, writing grants, and accepting donations. These activities are conducted outside of the time already volunteered for drills, meetings, calls, inspections, and public education. In this instance, we've raised enough funds for the Jaws of Life but not for the Stabilizer Struts due to cost. *The amount requested above would cover the cost of 1 set of struts, one short strut and one long strut.* It is ideal to have 2 sets, and we plan to buy a 2nd set after our fundraiser in November. In the following pages, you will see the advantages of our department acquiring Stabilizer Struts to accompany our Jaws of Life.

-Application continued on next page-



A1. SPECIFIC USE OF GRANT - We will specifically use the funds from this grant to purchase 1 set of **Stabilizer Struts** to accompany our newly purchased Jaws of Life. Stabilizer Struts assist in stabilizing vehicles or machinery to prevent them from moving or shifting during extrication which could injure patients and/or emergency personnel.

A2. TIME SCHEDULE - We are looking to get the stabilizer struts by December 1, 2016. We will have an initial training (and on-going training at least bi-monthly) using the stabilizer struts so all firefighters have a good understanding of the tools in conjunction with the Jaws of Life.

A3. OTHER FUNDING SOURCES - We have already purchased the Jaws of Life (Spreader, Cutter, and Pump) using a combination of funds from fundraisers and donations. The total cost of the unit was \$19,937.00 (not including the brackets and shelving installed to hold the unit in the truck. The brackets and shelving were paid for from our annual budget managed by our fire board).

A4. EFFECT OF POSTPONING OUR REQUEST - Getting the stabilizer struts would give us the opportunity to train with them right away – you never know when we may need them. The Jaws of Life may be used without the stabilizer struts, however, it is riskier to do so and would increase the time it takes to remove a patient. If a patient has a life-threatening injury, every second counts. The stabilizer struts help keep a vehicle or farm machinery from shifting so that it does not suddenly move and injure emergency personnel.

We were able to purchase the Jaws of Life and already completed the initial training on it (August 8) so that we could get it in service immediately. Our initial training allowed us to practice on 3 different vehicles (a van and 2 different types of cars) donated to us. Another special drill was held Sept 19 to practice on a car. We still have a Suburban in our possession to practice on yet. We also have it lined up to practice on a school bus. Every vehicle is different depending on the manufacturing or position it is in.

A5. WHO, WHEN, HOW, AND WHERE THE EFFECTS OF THIS GRANT WILL BE FELT - Having this life saving tool will impact all our residents and businesses! The life saved could be (most likely would be) that of a friend, family member, or employee. We have seen an increase in the number of vehicle crashes in our jurisdiction this year. We also are in a rural area with a number of farms with a variety of farm implements. The Jaws of Life can be used on farm implement as well as any size or type of vehicle (from a small car up to a school bus). Having these tools with a well-trained group of firefighters will get patients extricated quickly so that they get medical attention as soon as possible.

B. HISTORY – The Livingston-Clifton Fire Department was established in 1915 to provide fire protection to the Village of Livingston. In 1969, the village merged with Clifton Township and a fire board was selected to govern the operations of the department. In 1994, the Livingston-Clifton Fire Department Members were certified as First Responders.

As of 2016, we have maintained a well-trained group of Firefighters and First Responders. To date, our roster includes 15 Firefighters, 4 First Responders, and 10 members that are BOTH Firefighters and First Responders, bringing our roster total to 29! This is an impressive number, considering the size of our jurisdiction! This is a solid group in which each member maintains an active status by attending most meetings, drills, and calls.

ACTIVITIES –

- Presentations during Fire Prevention Week at Iowa-Grant and anytime we are requested.
- Monthly Fire Drills
- Special Drills (Jaws, RIT, First Responder Drills, etc)
 - Sometimes a few members will get together on a non-drill night to improve their knowledge of certain trucks or equipment.
- Controlled Burns upon request
- Inspections of all the businesses in the jurisdiction
- Monthly Business Meetings
- Truck/Equipment Checks and Maintenance (Captains conduct monthly truck/equipment inspections)
- County Fire/EMS/MABAS Meetings (Chief and Assistant Chiefs)
- Special Events: Parades, Fundraisers, Escorts/Traffic Control (ex. For Run/Walks)
- Scholarship Presentation (2 high school students receive a scholarship from LCFD annually)

SERVICES –

We respond to a variety of emergencies at all hours of the night and day:

Car Accidents

Medical Calls

Fire Calls (Structure Fire, Grass Fires, Vehicle Fires, etc)

Smoke Detector Calls

Storm Spotting

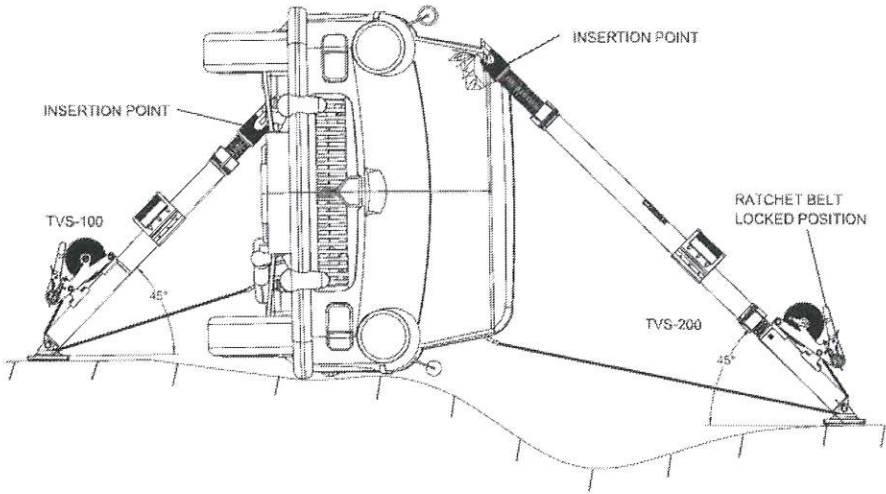
Mutual Aid Requests (we are on automatic page for Rewey during weekdays 6am-6pm)

In 2015, we provided mutual aid 13 times (Linden x2, Mineral Point x1, Montfort x3, Rewey x7).

To date in 2016, we have provided mutual aid 7 times (Montfort x2, Rewey x5).

We provide fire protection to the Village of Livingston, Clifton Township, and a portion of Mifflin Township. We have several members trained for RIT (Rapid Intervention Team) and Jaws Unit, and all First Responders provide Basic and some Advanced Life Skills.

How Stabilizer Struts are Utilized:



Pictures of LCFD Member Training with the Jaws of Life:

LCFD Jaws of Life:

